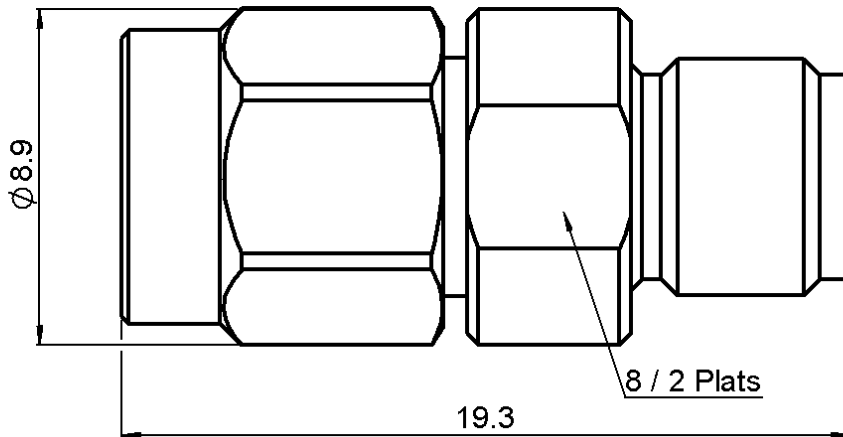
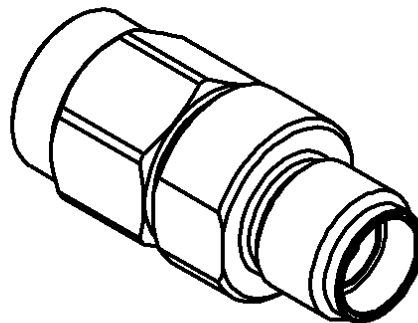


SMA ATTENUATOR
0 DB 15 GHZ 2W

R411.800.000
Series : **ATTENUATOR**



SCALE 1/1



All dimensions are in mm.



COMPONENTS	MATERIALS	PLATING(μm)
BODY	STAINLESS STEEL	PASSIVATION
MALE CENTER CONTACT	BERYLLIUM COPPER	GOLD 0.5 OVER NICKEL 4
FEMALE CENTER CONTACT	BERYLLIUM COPPER	GOLD 0.5 OVER NICKEL 4
OUTER CONTACT		
INSULATOR	PTFE	
GASKET	SILICONE RUBBER	
SUBSTRATE	-	
RESISTOR	-	
OTHERS PARTS		

Issue : 0834 C

In the effort to improve our products, we reserve the right to make changes judged to be necessary.



SMA ATTENUATOR
0 DB 15 GHZ 2W

R411.800.000
Series : **ATTENUATOR**

ELECTRICAL CHARACTERISTICS

Frequency (GHz)	DC - 4	4 - 8	8 - 12	12.4 - 15
V.S.W.R (≤)	1.20	1.25	1.30	1.35
Deviation(±dB)	0.20	0.20	0.30	0.50

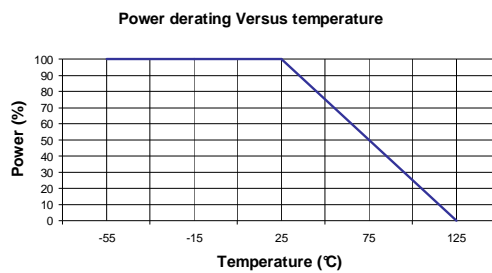
Operating Frequency Range	DC - 15	GHz
Impedance	50	Ω
Nominal Attenuation	0	dB
Peak power at 25°C (1μs, 1%)	100	W
Average power at 25°C	2	W (Free Air Cooled)
		W (Conduction Cooled)

MECHANICAL CHARACTERISTICS

Connectors	SMA	Male Female	MIL-C 39012
Weight	4,6900 g		

ENVIRONMENTAL CHARACTERISTICS

Operating temperature range	-55 / +125 °C
Storage temperature range	-55 / +125 °C



SPECIFICATION

OTHER CHARACTERISTICS

Issue : 0834 C

In the effort to improve our products, we reserve the right to make changes judged to be necessary.

